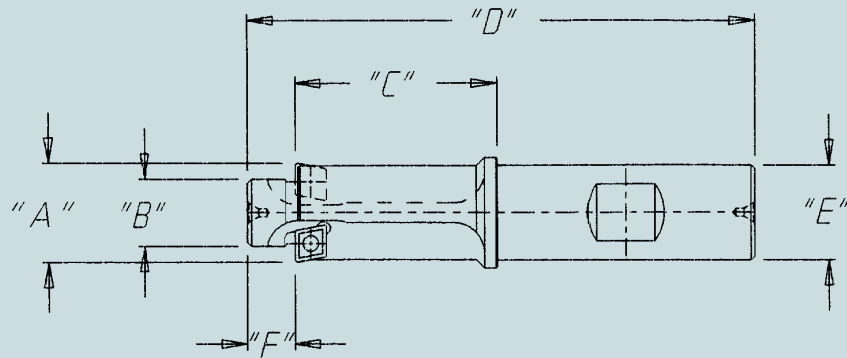


INDEXABLE  
Cap-Screw Counterbores



THE RIGID DESIGN OF THESE PRECISION, INDEXABLE, PILOTED TOOLS ALLOWS FOR MAXIMUM SPEEDS AND FEEDS IN A VARIETY OF MATERIALS. Special diameters are available upon request.

- PRECISION-GROUND INDEXABLE INSERTS
- ADAPTABLE TO ANY MACHINING OR TURNING CENTER
- RIGID ONE-PIECE CONSTRUCTION
- HIGH-STRENGTH DESIGN FOR DEPENDABLE PERFORMANCE

CAP SCREW	TOOL NO.	INSERT NO.	SCREW NO.	NO. OF INSERTS	A	B	C	D	E	F
1/4	TF 06260	CPGT 1.81.51 2A	TF 26260	1	.406	.280	1.000	3 1/32	.500	.250
5/16	TF 06261	CPGT 1.81.51 2A	TF 26260	1	.500	.342	1.188	3 9/32	.500	.312
3/8	TF 06262	CPGT 1.81.51 2A	TF 26260	2	.594	.405	1.312	3 13/32	.500	.312
7/16	TF 06263	CPGT 1.81.51 2A	TF 26260	2	.687	.467	1.375	3 17/32	.500	.375
1/2	TF 06264	CPGH 21.51(A)	TF 26264	2	.781	.530	1.594	4	.750	.375
5/8	TF 06265	CPGH 21.51(A)	TF 26264	2	1.000	.655	1.594	4 1/8	.750	.500
3/4	TF 06266	CPGH 21.51(A)	TF 26264	2	1.187	.812	1.719	4 1/4	.750	.500

Note: All inserts are TiN-coated.

Please call Tool Fab for pricing and delivery of coolant-through cap-screw counterbores.